

**FRIGGITRICI GAS 15L E700 XP
 GAS FRYERS 15L E700 XP**

PNC	Model	Ref	Brand	Version	Notes
371070	E7FRGD1GF0	a	ELX	GAS	15 LITRE 400 MM
371071	E7FRGH2GF0	b	ELX	GAS	2X15 LITRE 800 MM
371420	E7KKETBAMCI	a	ELX	GAS	15 LITRE GAS FRYER 400 MM
371421	E7KKETBAMEI	b	ELX	GAS	2X15 LITRE GAS FRYER 800 MM
372070	Z7FRGD1GF0	c	ZAN	GAS	15 LITRE 400 MM
372071	Z7FRGH2GF0	d	ZAN	GAS	2X15 LITRE 800 MM
372159	Z7FRGH2GFH	e	ZAN	GAS	2X15 LITRE 800 MM-HAKVOORT
372421	Z7KKETBAMCI	c	ZAN	GAS	15 LITRE GAS FRYER 400MM - QMARK
372422	Z7KKETBAMEI	d	ZAN	GAS	2X15 LITRE GAS FRYER 800MM - QMARK
373070	A7FRGD1GF0	f	OEM	GAS	15 LITRE 400 MM
373071	A7FRGH2GF0	g	OEM	GAS	2X15 LITRE 800 MM
373229	A7FRGD1GFK	h	KIP	GAS	15 LITRE 400 MM
373230	A7FRGH2GFK	l	KIP	GAS	2X15 LITRE 800 MM

Index

General components / Componenti struttura
 Gas components / Componenti gas
 Nozzles tables / Tabelle ugelli
 Spare parts list / Lista ricambi

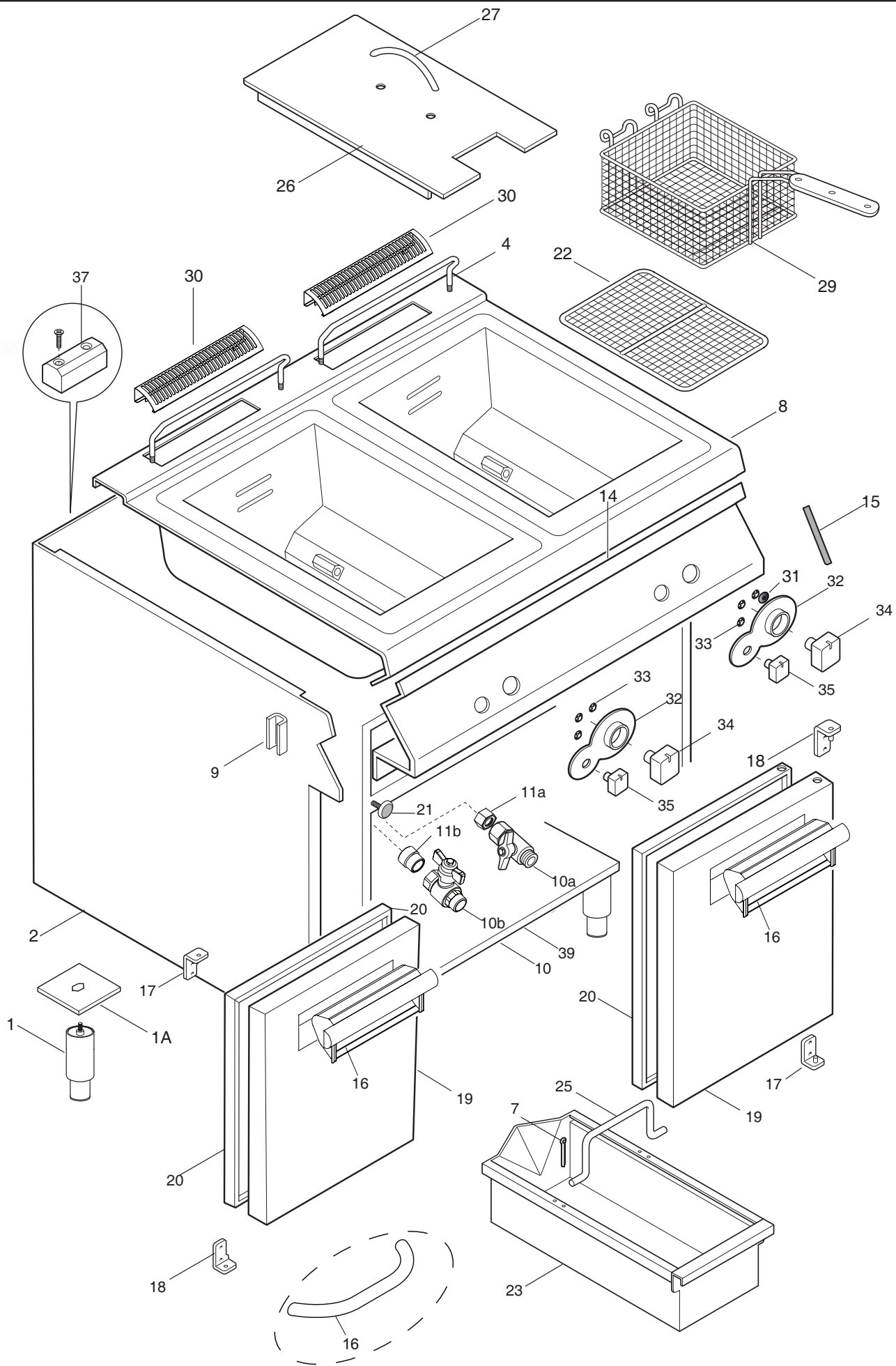
Page

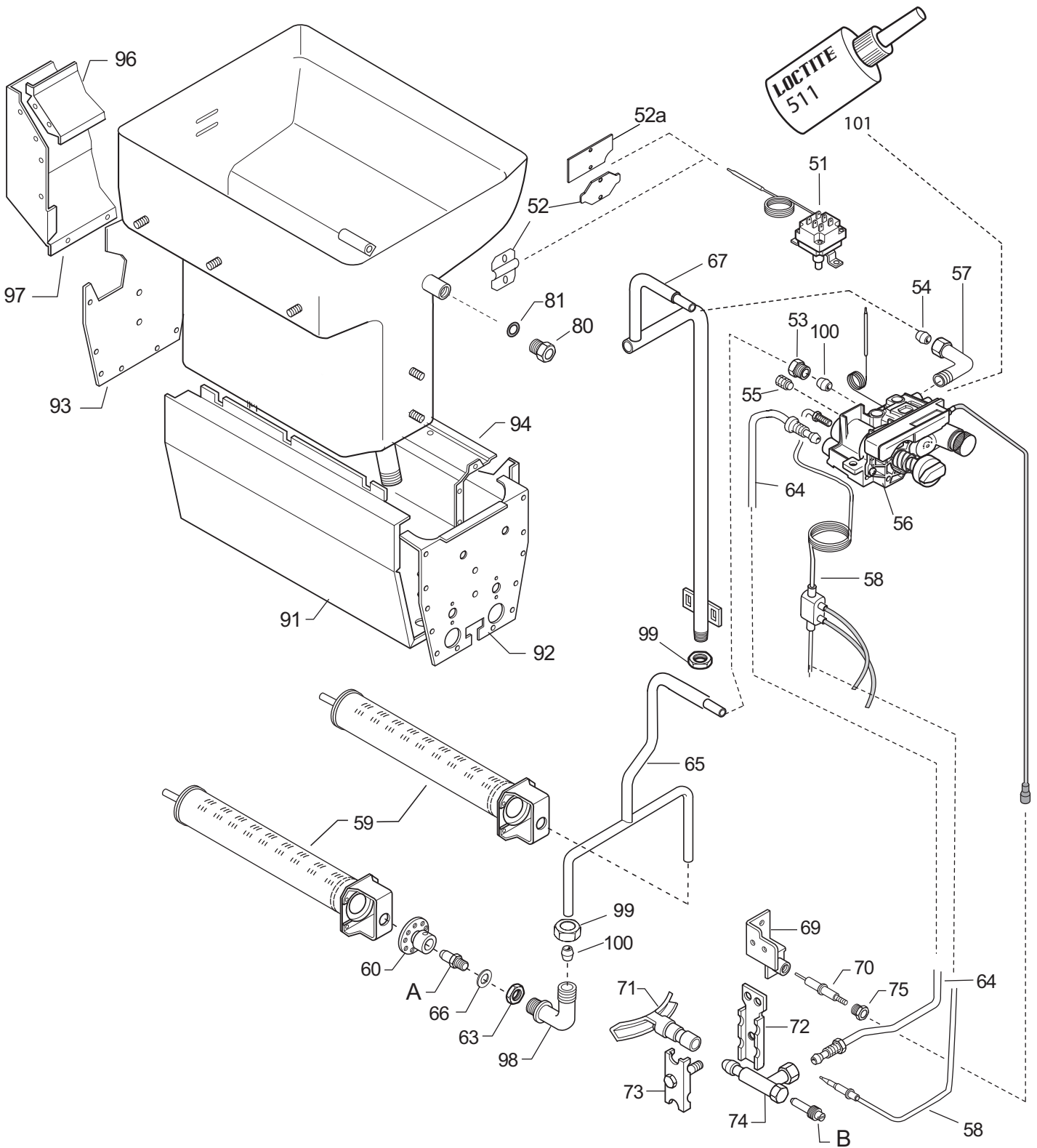
2
 3
 4
 5,6

Bold=last change / Grassetto =ultima modifica

Rev. 6

From Ser. Nr. 116 Up to Ser. Nr.	Ed. 2011-04 Updated 2023-10	Page: 1	Doc No:59785F300
-------------------------------------	--------------------------------	---------	-------------------------





A - Ugello bruciatore / Burner nozzle			
Spare Part Code	Reference / Notes		
004732	ø1.35	3+3B/P	G30 30mbar
004732	ø1.35	3B/P	G30 50mbar
004732	ø1.35	3B/P	G30 37mbar
0C0729	ø2.40	2H/2E/2Es	G20 20mbar
0C0729	ø2.40	2E(R)B	G20 25mbar
0C0730	ø2.65	2Ei	G25 25mbar
0C0730	ø2.65	2E(R)B	G25 25mbar
0C0730	ø2.65	2ELL	G25 20mbar
0C0730	ø2.65	2L	G25 25mbar
059363	ø2.50	2K	G25.3 25mbar
0C0730	ø2.65	2S	G25.1 25mbar
0C3079	ø6.25	NO CE	G110 8mbar

B - Ugello pilota / Pilot nozzle			
Spare part Code	Ref./ Notes		
058525	n°30	3+3B/P	G30 30mbar
058525	n°30	3B/P	G30 50mbar
058525	n°30	3B/P	G30 37mbar
003327	n°40	2H/2E/2Es	G20 20mbar
003327	n°40	2E(R)B	G20 25mbar
003327	n°40	2Ei	G25 25mbar
003327	n°40	2E(R)B	G25 25mbar
003327	n°40	2ELL	G25 20mbar
003327	n°40	2L	G25 25mbar
003327	n°40	2K	G25.3 25mbar
003327	n°40	2S	G25.1 25mbar
/	adjust	NO CE	G110 8mbar

FRIGGITRICI GAS 15L E700 XP
GAS FRYERS 15L E700 XP

Pos	Factory Code	Spare Code	Descrizione	Description	Ref./Notes
1	835856900	0C0204	PIEDE	FOOT	
1A	508898900	0C0122	PIASTRA DI RINFORZO PER PIEDE	PLATE FOR FOOT	
2	85089FD01		RIVESTIMENTO LATERALE 400MM	EXTERNAL PANEL 400MM	ELX
2	85089FH01		RIVESTIMENTO LATERALE 400MM	EXTERNAL PANEL 400MM	ZAN, OEM
2	85089FF01		RIVESTIMENTO LATERALE 800MM	EXTERNAL PANEL 800MM	ELX
2	85089FJ01		RIVESTIMENTO LATERALE 800MM	EXTERNAL PANEL 800MM	ZAN, OEM
4	0516862900	0C0640	SUPPORTO PER CESTELLO	SUPPORT; BASKET	Up to 6221
4	0516862901	0CA773	SUPPORTO PER CESTELLO	SUPPORT; BASKET	From 6231
8	85589BH01	0C7751	RIPIANO / VASCA 400mm	WORKTOP / TANK 400mm	ELX
8	85589BP01	0C7757	RIPIANO / VASCA 800mm	WORKTOP / TANK 800mm	ELX
8	87089L502	0C7776	RIPIANO / VASCA 400mm	WORKTOP / TANK 400mm	ZAN, OEM
8	87089L602	0C7777	RIPIANO / VASCA 800mm	WORKTOP / TANK 800mm	ZAN, OEM
8	50389X900		RIPIANO / VASCA 800mm	WORKTOP / TANK 800mm	HAKVOORT
9	527850500	0C0156	PIASTRA FISSAGGIO FIANCHI	SIDE PANEL JOINTING PLATE	
10a	835841201	0A5439	VALVOLA SCARICO 1'	DRAIN VALVE 1'	Up to 28/2017
10b	835848600	005927	VALVOLA SCARICO 3/4'	DRAIN VALVE 3/4'	From 29/2017
11a	511824800	0C6805	CONNESSIONE 3/4" M/F	3/4" CONNECTION	Up to 28/2017
11b	511851P00	0CB826	NIPPLO 3/4" M/F	3/4" NIPPLE	From 29/2017
14	85589AG03	0C7801	CRUSCOTTO 400mm	CONTROL PANEL 400mm	ELX 400mm
14	87089HX02	0C7514	CRUSCOTTO 400mm	CONTROL PANEL 400mm	ZAN 400mm
14	800838L01		CRUSCOTTO 400mm	CONTROL PANEL 400mm	OEM-KIP 400mm
14	85589AH03	0C7739	CRUSCOTTO 800mm	CONTROL PANEL 800mm	ELX 800mm
14	87089HZ02	0C7515	CRUSCOTTO 800mm	CONTROL PANEL 800mm	ZAN,HAKVOORT 800mm
14	800838M01		CRUSCOTTO 400mm	CONTROL PANEL 800MM	OEM-KIP 800mm
15	543821900	0C2496	GUARNIZIONE X CRUSCOTTO	GASKET, CONTROL PANEL	
16	51589A700	0C7164	MANIGLIA	HANDLE	ELX
16	54887A802	0C8190	MANIGLIA	HANDLE	ZAN
16	854864203	0A5021	MANIGLIA	HANDLE	OEM
17	516860801	0C0138	CERNIERA	HINGE, DOOR	
18	516860901	0C0139	CERNIERA	HINGE, DOOR	
19	50389G300	0C7157	PORTA	DOOR	ELX, ZAN
19	50389MB01		PORTA	DOOR	OEM
20					
21	830898200	0C0201	MAGNETE PER PORTA	MAGNET, DOOR	
22	830822500	005932	GRIGLIA DI FONDO	GRATE FOR BOTTOM	
23	502898403	005922	BACINELLA PER OLIO	BASIN FOR BASIN	
24	219293205	0C0477	COPIGLIA	COTTER	
25	516843003	005923	MANIGLIA BACINELLA	HANDLE, BASIN	
26	522893501	0C2697	COPERCHIO	LID	
27	511819000	0C0614	MANIGLIA COPERCHIO	HANDLE, LID	
29	830822603	005933	CESTELLO	BASKET	
30	50389LP00	0C7333	GRIGLIA CAMINO	GRID, CHIMNEY	
31	541813800	0C6171	GUARNIZIONE IN SILICONE	SILICONE GASKET	
32	548877501	0C7802	GHIERA	RING, KNOB	ELX
32	548879800	0C7484	GHIERA	RING, KNOB	ZAN, OEM
33	218912211	069567	MOLLA PER GHIERA	SPRING, RING KNOB	
34	511850D02	0C7330	MANOPOLA TERMOSTATO	KNOB, THERMOSTAT	ELX
34	548877Z01	0C7179	MANOPOLA TERMOSTATO	KNOB, THERMOSTAT	ZAN
34	548872700	0C5252	MANOPOLA TERMOSTATO	KNOB, THERMOSTAT	OEM

FRIGGITRICI GAS 15L E700 XP
GAS FRYERS 15L E700 XP

Pos	Factory Code	Spare Code	Descrizione	Description	Ref./Notes
34	548876U00	0C6745	MANOPOLA TERMOSTATO	KNOB, THERMOSTAT	KIP, H,I
35	548863303	0C2021	MANOPOLA ACCENDITORE	KNOB, IGNITER	ELX
35	548878303	0C7181	MANOPOLA ACCENDITORE	KNOB, IGNITER	ZAN
35	548856603	0C0190	MANOPOLA ACCENDITORE	KNOB, IGNITER	OEM
37	516860702	0C0137	PIASTRA GIUNZIONE APPARECC.	JOINTING REAR PLATE	
51	646816500	0C4279	LIMITATORE DI TEMPERATURA	SAFETY THERMOSTAT	
52	527871901	0C4749	SUPPORTO BULBO LIMITATORE	SUPPORT SAFETY THERMOSTAT	
52a	569806300	0C4748	ISOLANTE LIMITATORE	INSULATION SAFETY THERMOSTAT	
53	514862501	051950	RACCORDO 3/8"	3/8" PIPE FITTING	
54	215170716	050682	OGIVA	RING	
55	516865800	0C0625	TAPPO PER VALVOLA	STOPPER, VALVE	
56	835859703	0C5248	VALVOLA GAS	GAS VALVE	
57	515863200	0C0631	RACCORDO A "L" CON DADO	L PIPE FITTING WITH NUT	TRASH THE OLIVE CONE SUPPLIED WITH SPARE PART 0C0631, USE OLIVE 050682
58	831818901	0C3162	TERMOCOPPIA; INTERROTTA	THERMOCOUPLE; INTERRUPTED	
59	830822201	005929	BRUCIATORE	BURNER	
60	830828001	054039	AERATORE	AERATOR	
63	214105101	020997	CONTRODADO	LOCK NUT	
64	517897103	0C2948	CONDUTTURA PILOTA	PIPE, PILOT	
65	870854100	0C5182	CONDUTTURA VALVOLA-BRUCIATORE	PIPE VALVE-BURNER	
66	506833401	054029	GUARNIZIONE UGELLO	GASKET	
67	87089MZ00	0CB744	ENTRATA GAS FRIGG.15L	GAS INLET 400 mm	
67	87089MY00	0CA801	ENTRATA GAS FRIGG.15+15L	GAS INLET 800 mm	
69	831819401	0C4365	SUPPORTO PILOTA	SUPPORT, PILOT	
70	569807J00	0C7141	ELETTRODO; ACCENSIONE	ELECTRODE	
71	830819201	0A5441	CANNELLO PILOTA	BLOW PIPE	
72	206993500	052256	STAFFA	BRACKET	
73	206649700	052246	STAFFA	BRACKET	
74	835854800	006725	PILOTA	PILOT BURNER	
75	214164101	057960	RACCORDO ELETTRODO	PIPE FITTING, ELECTRODE	
80	514874500	059295	RACCORDO	PIPE FITTING	
81	543815000	059293	GUARNIZIONE	GASKET	
91	533820703	0CA071	CAMERA DI COMBUSTIONE	COMBUSTION CHAMBER	
92	533820202	0CA149	PARETE ANT. CAM. COMB.	FRONT PANEL	
93	533819903	0CA150	PARETE POST. CAM. COMB.	REAR PANEL	
94	533820503	0CA391	DEFLETTORE/CONVOGLIATORE FUMI	DEFLECTOR/SMOKE CONVEYOR	
96	533820301	0CA392	PARETE ANT. CAMINO	FRONT CHIMNEY	
97	533820401	*	PARETE POST. CAMINO	REAR CHIMNEY	
98	511805401	059250	PORTAUGELLO 90°	INJECTOR HOLDER	
99	514829301	0A2125	DADO PER TUBO	NUT FOR PIPE	
100	215073101	060325	BICONO	DOUBLE CONE	
101	*	0CA532	LOCKTITE 511 – 50MI	LOCKTITE 511 – 50MI	
*	*	0CB467	KIT MANUTENZIONE FRIGGITRICI GAS 15LT E700	E700 15LT GAS FRYER MAINTENANCE KIT	15LT (15+58+70+75+80+81+0C7190)

FRIGGITRICI GAS 15L E700 XP
 GAS FRYERS 15L E700 XP

Pos	Factory Code	Spare Code	Descrizione	Description	Ref./Notes
*	*	0CB468	KIT MANUTENZIONE FRIGGITRICI GAS 2x15LT E700	E700 2x15LT GAS FRYER MAINTENANCE KIT	2x15LT (15+2x58+2x70+ 2x75+2x80+2x81+ 2x0C7190)